
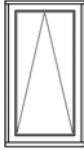
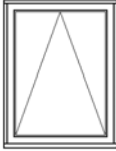
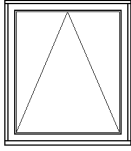
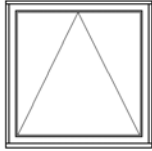
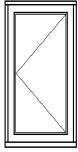
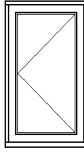
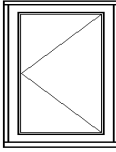
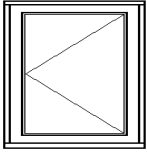
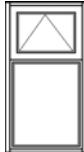

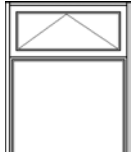
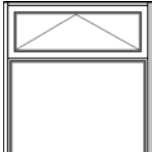


Code Top Hung Open Out	490 mm (W)	650 mm (W)	915 mm (W)	1050 mm (W)	1200 mm (W)
TH					
750 mm (h)	490w x 750h mm	650w x 750h mm	915w x 750h mm	1050w x 750h mm	1200w x 750h mm
900 mm (h)	490w x 900h mm	650w x 900h mm	915w x 900h mm	1050w x 900h mm	1200w x 900h mm
1050 mm (h)	490w x 1050h mm	650w x 1050h mm	915w x 1050h mm	1050w x 1050h mm	1200w x 1050h mm
1200 mm (h)	490w x 1200h mm	650w x 1200h mm	915w x 1200h mm	1050w x 1200h mm	1200w x 1200h mm
1400 mm (h)	490w x 1400h mm	650w x 1400h mm	915w x 1400h mm	1050w x 1400h mm	1200w x 1400h mm
2000 mm (h)	490w x 2000h mm	650w x 2000h mm	915w x 2000h mm	1050w x 2000h mm	1200w x 2000h mm


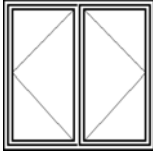
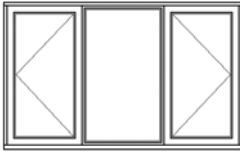
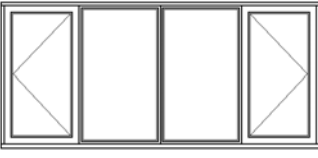
Code Side Hung Open Out	490 mm (W)	650 mm (W)	915 mm (W)	1050 mm (W)
SH				
750 mm (h)	490w x 750h mm	650w x 750h mm	915w x 750h mm	1050w x 750h mm
900 mm (h)	490w x 900h mm	650w x 900h mm	915w x 900h mm	1050w x 900h mm
1050 mm (h)	490w x 1050h mm	650w x 1050h mm	915w x 1050h mm	1050w x 1050h mm
1200 mm (h)	490w x 1200h mm	650w x 1200h mm	915w x 1200h mm	1050w x 1200h mm
1400 mm (h)	490w x 1400h mm	650w x 1400h mm	915w x 1400h mm	1050w x 1400h mm
2000 mm (h)	490w x 2000h mm	650w x 2000h mm	915w x 2000h mm	1050w x 2000h mm

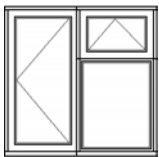
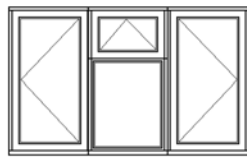
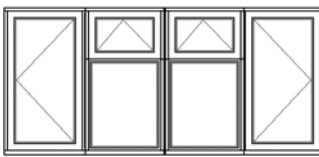
Code Top Light	650 mm (W)	915 mm (W)	1050 mm (W)	1200 mm (W)
TL				
750 mm (h)	650w x 750h mm	915w x 750h mm	1050w x 750h mm	1200w x 750h mm
900 mm (h)	650w x 900h mm	915w x 900h mm	1050w x 900h mm	1200w x 900h mm
1050 mm (h)	650w x 1050h mm	915w x 1050h mm	1050w x 1050h mm	1200w x 1050h mm
1200 mm (h)	650w x 1200h mm	915w x 1200h mm	1050w x 1200h mm	1200w x 1200h mm



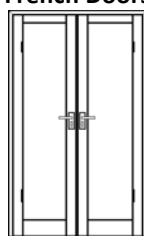


Code Half Bar Top Hung	490 mm (W)	650 mm (W)	750 mm (W)	915 mm (W)	1200 mm (W)	
HB						
	900 mm (h)	490w x 900h mm	650w x 900h mm	750w x 900h mm	915w x 900h mm	1200w x 900h mm
	1050 mm (h)	490w x 1050h mm	650w x 1050h mm	750w x 1050h mm	915w x 1050h mm	1200w x 1050h mm
	1200 mm (h)	490w x 1200h mm	650w x 1200h mm	750w x 1200h mm	915w x 1200h mm	1200w x 1200h mm
	1400 mm (h)	490w x 1400h mm	650w x 1400h mm	750w x 1400h mm	915w x 1400h mm	1200w x 1400h mm
	2000 mm (h)	490w x 2000h mm	650w x 2000h mm	750w x 2000h mm	915w x 2000h mm	1200w x 2000h mm
	2100 mm (h)	490w x 2100h mm	650w x 2100h mm	750w x 2100h mm	915w x 2100h mm	1200w x 2100h mm

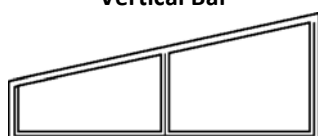
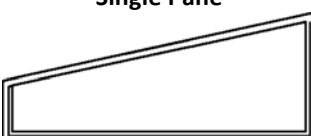
Code Full Height Top Light	490 mm (W)	650 mm (W)	750 mm (W)	1050 mm (W)	1500 mm (W)	
TL						
	1400 mm (h)	490w x 1400h mm	650w x 1400h mm	750w x 1400h mm	1050w x 1400h mm	-
	2000 mm (h)	490w x 2000h mm	650w x 2000h mm	750w x 2000h mm	1050w x 2000h mm	-
	2100 mm (h)	490w x 2100h mm	650w x 2100h mm	750w x 2100h mm	1050 x 2100h mm	-



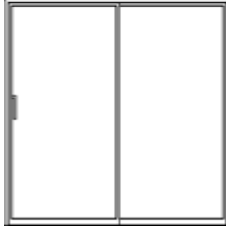
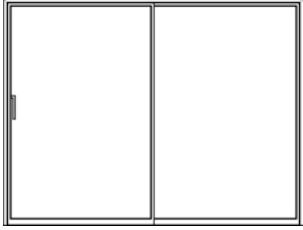
Code Half Bar Full Height	490 mm (W)	1200 mm (W)	1500 mm (W)	1200 mm (W)	1700 mm (W)	
HB						
	1400 mm (h)	490w x 1400h mm	1200w x 1400h mm	1500w x 1400h mm	1200w x 1400h mm	1700w x 1400h mm
	2000 mm (h)	490w x 2000h mm	1200w x 2000h mm	1500w x 2000h mm	1200w x 2000h mm	1700w x 2000h mm
	2100 mm (h)	490w x 2100h mm	1200w x 2100h mm	1500w x 2100h mm	1200w x 2100h mm	1700w x 2100h mm

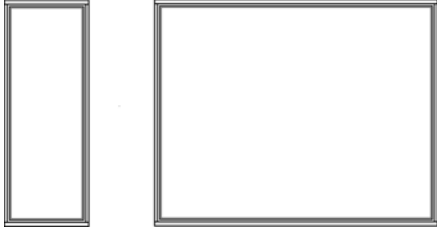
Code Casement Open Out CA	1200 mm (W) Single Open	1200 mm (W) Double Open	1770 mm (W)	2340 mm (W)
				
750 mm (h)	1200w x 750h mm	1200w x 750h mm	1770w x 750h mm	2340w x 750h mm
900 mm (h)	1200w x 900h mm	1200w x 900h mm	1770w x 900h mm	2340w x 900h mm
1050 mm (h)	1200w x 1050h mm	1200w x 1050h mm	1770w x 1050h mm	2340w x 1050h mm
1200 mm (h)	1200w x 1200h mm	1200w x 1200h mm	1770w x 1200h mm	2340w x 1200h mm
1400 mm (h)	1200w x 1400h mm	1200w x 1400h mm	1770w x 1400h mm	2340w x 1400h mm




Code Divided Sash DS	1200 mm (W)	1770 mm (W)	2340 mm (W)
			
750 mm (h)	1200w x 750h mm	1770w x 750h mm	2340w x 750h mm
900 mm (h)	1200w x 900h mm	1770w x 900h mm	2340w x 900h mm
1050 mm (h)	1200w x 1050h mm	1770w x 1050h mm	2340w x 1050h mm
1200 mm (h)	1200w x 1200h mm	1770w x 1200h mm	2340w x 1200h mm

Code Entrance Doors ED	925 mm (W) Entrance Door	1100 mm (W)	1600 mm (W) French Doors	1800 mm (W)	2000 mm (W)
					
2000 mm (h)	925w x 2000h mm	1100w x 2000h mm	1600w x 2000h mm	1800w x 2000h mm	2000w x 2000h mm
2100 mm (h)	925w x 2100h mm	1100w x 2100h mm	1600w x 2100h mm	1800w x 2100h mm	2000w x 2100h mm

Code Triangular Top Lights TTL	Vertical Bar	Single Pane
		
Variable Height	1600 mm (W) Right / Left	1600 mm (W) Right / Left
	1800 mm (W) Right / Left	1800 mm (W) Right / Left
	2000 mm (W) Right / Left	2000 mm (W) Right / Left

Code Sliding Doors Left Side Open	1600 mm (W)	1800 mm (W)	2000 mm (W)	2600 mm (W)
SD				
2000 mm (h)	1600w x 2000h mm	1800w x 2000h mm	2000w x 2000h mm	2600w x 2000h mm
2100 mm (h)	1600w x 2100h mm	1800w x 2100h mm	2000w x 2100h mm	2600w x 2100h mm

Code Fixed Pane Non-Opening	From 450 - 2800 mm (W)
FP	
2000 mm (h)	Max 2800 mm (W) x 2000 mm (H)
2100 mm (h)	Max 2800 mm (W) x 2100 mm (H)

Code Velux Roof Lights Central Pivot	780 mm (W)	942 mm (W)	1140 mm (W)
VX			
978 mm (H)	M04	P04	-
1178 mm (H)	M06	P06	S06
1398 mm (H)	M08	P08	S08
1600 mm (H)	M10	P10	S10
1800 mm (H)	M12	-	-